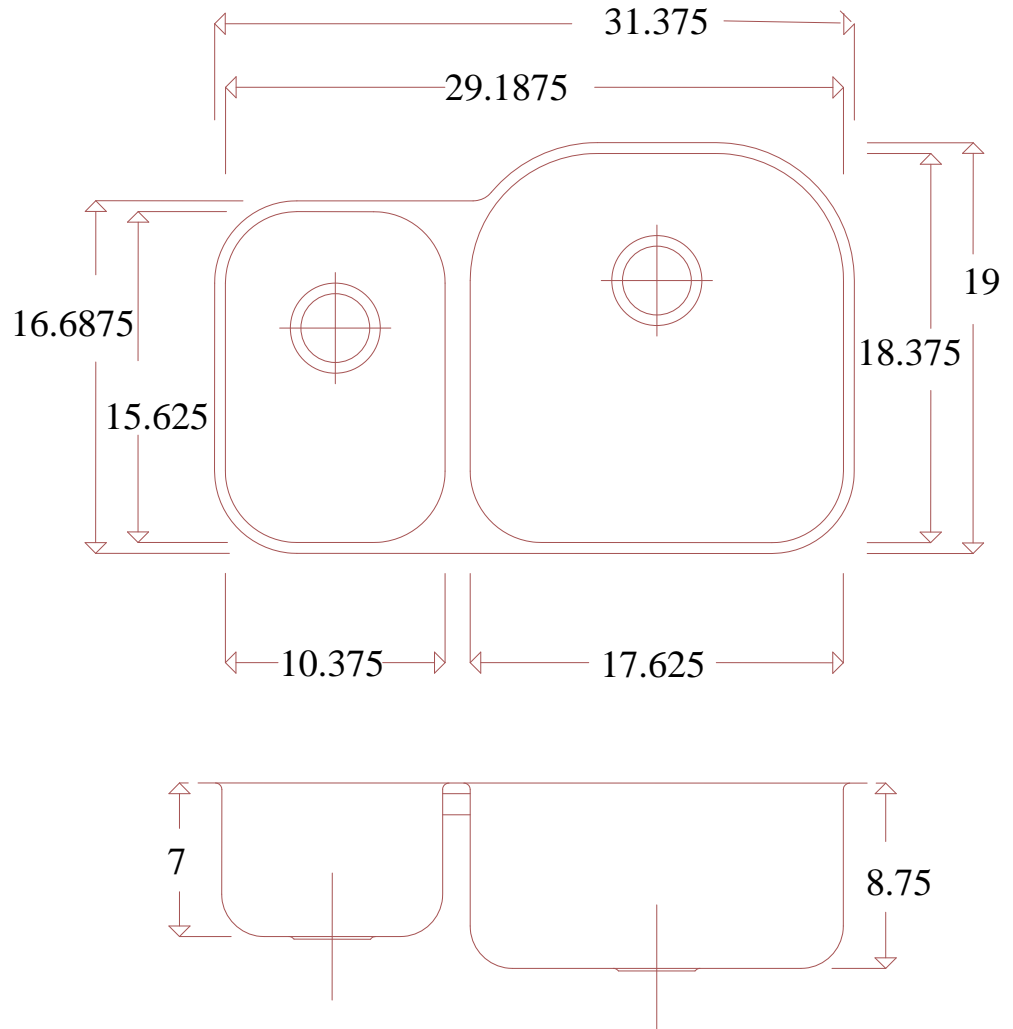


# The Solid Choice™

## SL-3220BBR



**Fabrication Notes:**

The countertop fabricator or manufacturer must check the template provided with the product or call Craftstone Products LLC at 423-332-3432.

Craftstone Products LLC is not responsible if the cutout is incorrect due to failure to check the template against the actual sink.

DXF available upon request,

[www.CraftstoneProducts.com](http://www.CraftstoneProducts.com)